



SLIDING



SOCIALIZING



CLIMBING



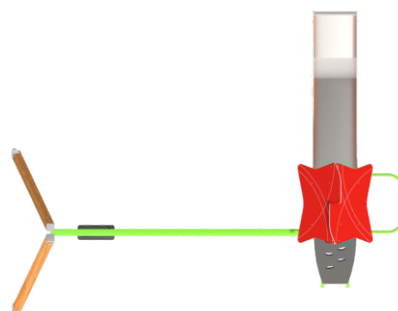
SENSORIAL
INTEGRATION

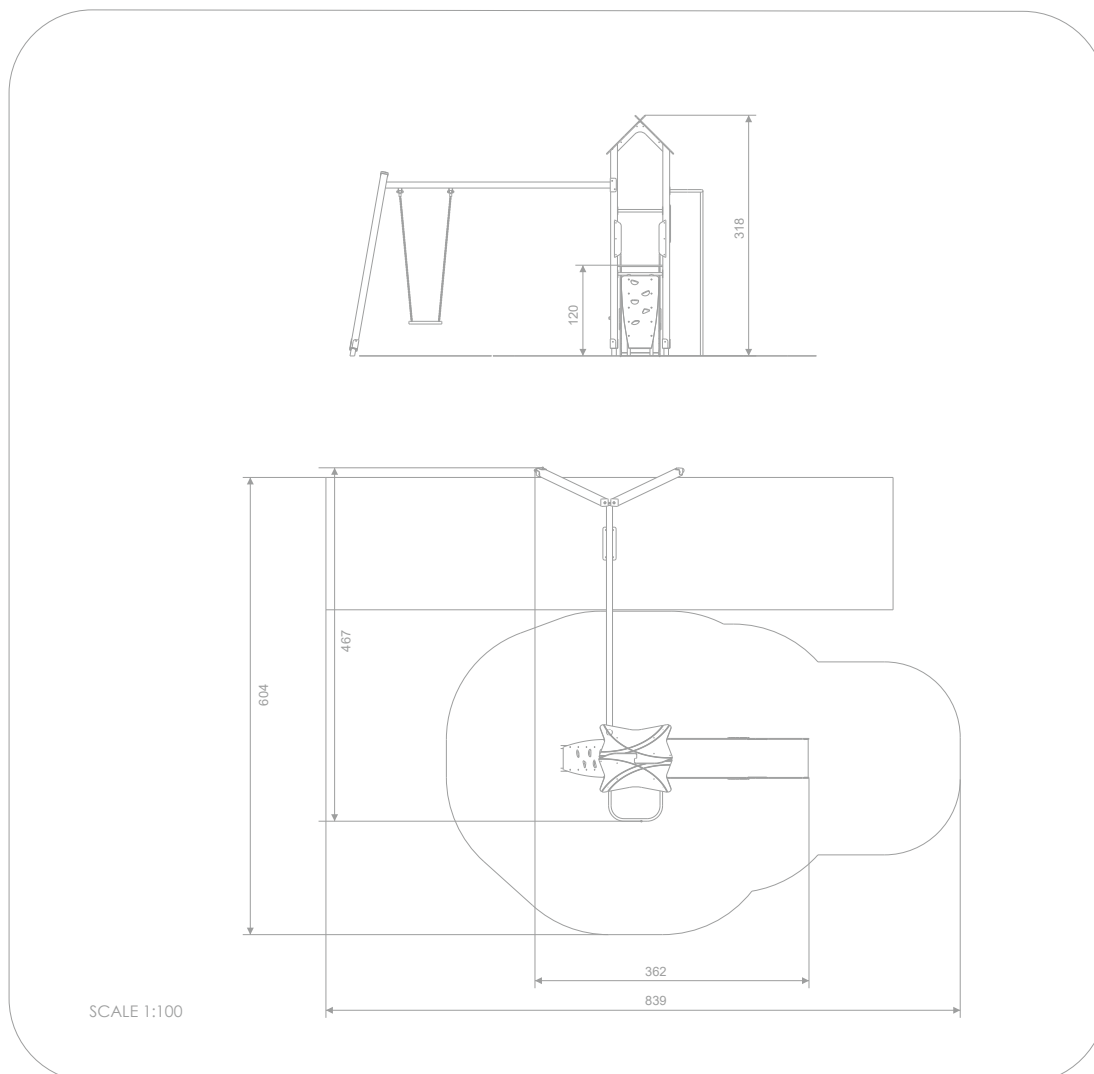


SWINGING

INFORMATION ABOUT THE PRODUCT

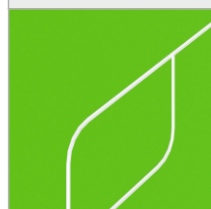
Dimensions	362 x 467 cm
Safety zone	839 x 604 cm
Safety zone area	35,3 m ²
Overall height	318 cm
Free fall height	120 cm
Amount of users	6
Product complies with EN 1176-1:2017-12	YES
Availability of spare parts	YES
Age range	3-14
According to EN 1176-1:2017-12 norm, the product requires applying a safety surface according to the product's free fall height.	



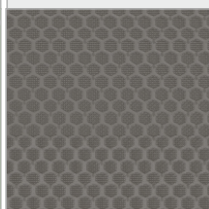


MATERIALS:

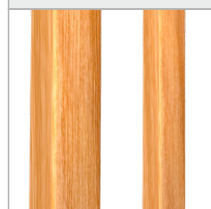
PLATES OF THE WALLS
MADE OF 12 MM HDPE IN
THE HIGHEST QUALITY



ANTI-SLIP HEXA 18 MM H
PLATFORM PLATE
SERIES: SMART



SOLID CONSTRUCTION MADE
OF WOOD, 90x90 MM



SIEDZISKO O KONSTRUKCJI
ALUMINIOWEJ, POKRYTE
MIĘKKĄ GUMĄ, EPDM



SAFE PIPE PLUGS MADE
OF INJECTION MOLDED
POLYAMID

